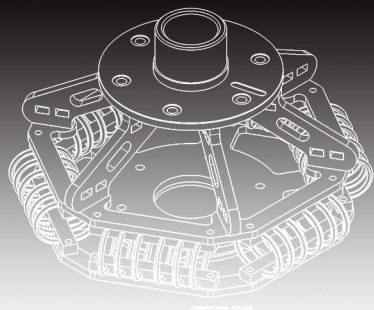
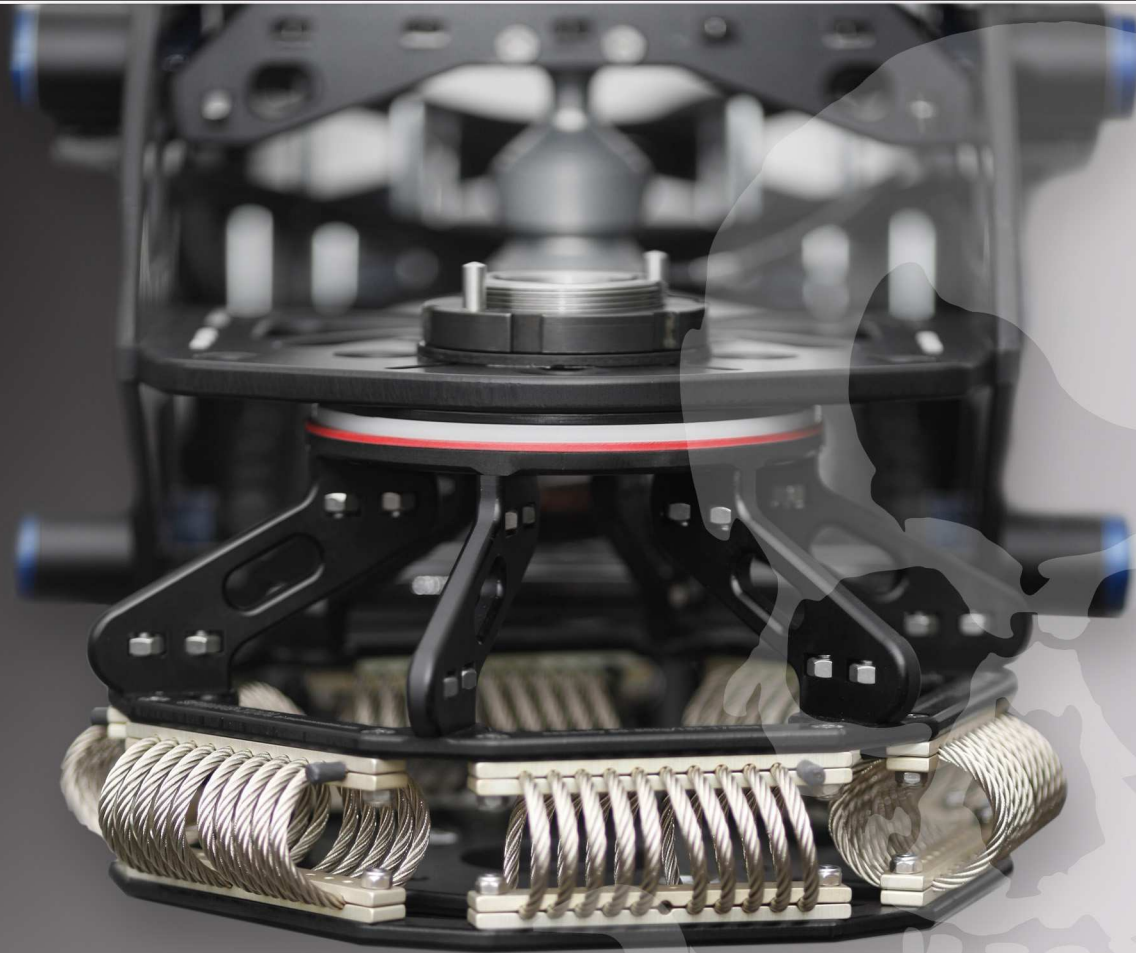




# SPRINGMOUNT

toolman custom  
Custom Mechatronics

www.toolmancustom.com  
info@toolmancustom.com  
+49 (30) 610 730 11



The Spring Mount is used to absorb high frequency vibrations that can affect a camera system. Our Spring Mounts are available for various bands, weights and types of cameras.

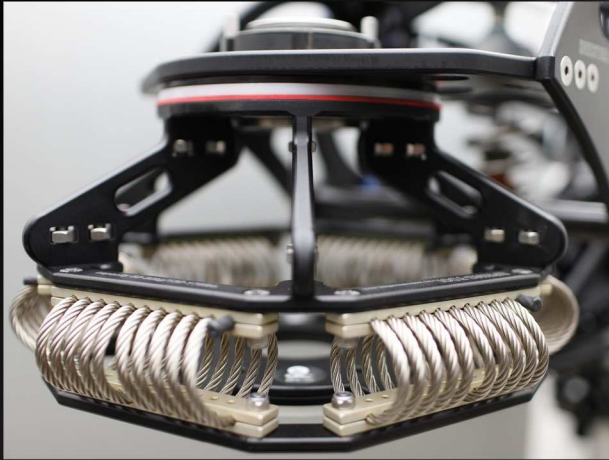
Call for more details!



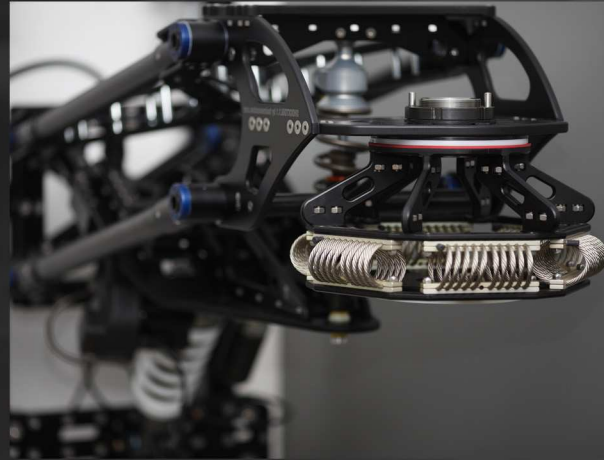
# SPRINGMOUNT

toolman custom  
Custom Mechatronics

www.toolmancustom.com  
info@toolmancustom.com  
+49 (30) 610 730 11



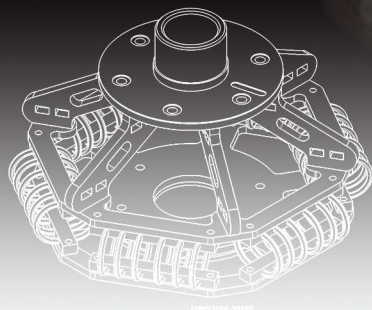
inox-damper



mounted on the Shocktool



light-weight construction



## TECHNICAL SPECIFICATIONS

Mount:	Mitchell	Material:	DIN7075 aluminium
Payload:	20 kg-45 kg/45 kg-80 kg		
Weight:	7,5 kg		